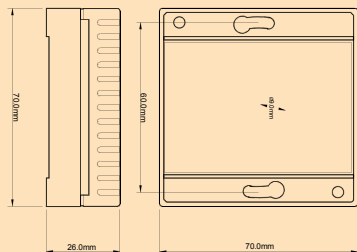


# EASYBus - sensor modules for temperature

## EBT - 2R

**EBT - 2RE** with external sensor for lower or higher temperatures. Sensor: like GTF2000LE on page 102 of catalogue

-VO: Option "On-site display"



### Specification

#### Measuring range:

**EBT - 2R:** -25,0 ... 70,0 °C or -13,0 ... 158,0 °F  
**EBT - 2RE:** -50,0 ... 150,0 °C or -58,0 ... 302,0 °F  
**Resolution:** 0,1 °C / 0,1 °F  
**Accuracy:** ±0.4% of meas. value ±0.3°C (at nominal temperature = 25°C)

**Sensor element:** Pt1000 acc. to DIN IEC 751  
**Electric connection:** 2 pin screw-type terminal, no polarity, max. 1,5mm<sup>2</sup>  
**Ambient temperature:** -25...50°C (electronic)  
**Housing:** stream-lined housing for indoor installation (can be directly mounted on flush-type sockets)

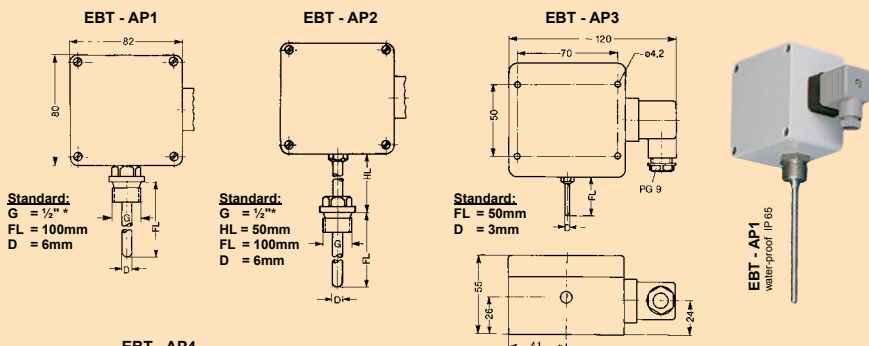
**Dimensions:** 70 x 70 x 26 mm (H x W x D)  
**Sensor (EBT-2RE):** V4A-can, 5mm Ø, 50mm long, approx. 1m silicone cable  
**Option Display:** 10 mm high LCD-display

- EBT - AP1** (measuring range: -50,0 ... +150,0°C) \* as of
- EBT - AP2** (measuring range: -50,0 ... +400,0°C) \* as of
- EBT - AP3** (measuring range: -50,0 ... +150,0°C) \* as of
- EBT - AP4** (measuring range: -50,0 ... +150,0°C) \* as of
- EBT - AP5** (measuring range: -50,0 ... +400,0°C) \* as of



\* observe necessary order information!

- VO: Option "On-site display" (LCD with 10 mm high digits)
- LACK: Option "Encapsulated PC-board" (for outdoor use)
- FL... (Longer probe tube); -HL... (longer collar tube);
- Price incl. up to 100 mm, extended length: price per 100 mm



### Design types

- Design 1:** With threaded pin „G“ for direct screw connection.
- Design 2:** For higher temperatures, threaded pin „G“ at a distance from housing. HL = collar tube length.
- Design 3:** Indoor or outdoor probe for direct wall mounting (*encapsulation of electronics required for outdoor use*).
- Design 4:** Duct-type probe with probe tube arranged centrally and pointing downwards.
- Design 5:** Transducer for existing Pt1000 sensors or for applications where probe and housing need to be separated (e.g. extremely high ambient temperature or due to design reasons).

**Other design types upon request - please do not hesitate to contact us !**

### Ordering information

- ! at least necessary: Type, sensor element and type specific sensor tube data:
- "FL" and "D" (AP1 - AP4), "G" (AP1, AP2), "HL" (AP2).

**Ordering examples:** all data to be mentioned in any case!  
 EBT - AP1, G = 1/2" (1,27 cm), FL = 100 mm, D = 6 mm  
 EBT - AP3, FL = 50 mm, D = 3 mm  
 EBT - AP5

### Specification

#### Measuring range:

**- AP1, AP3, AP4:** -50,0 ... 150,0 °C or -58,0 ... 302,0 °F  
**- AP2 and AP5:** -50,0 ... 400,0 °C or -58,0 ... 752,0 °F

**Sensor element:** Resistance thermometer Pt1000 acc. to DIN IEC 751  
**Resolution:** 0,1 °C / 0,1 °F

**Accuracy (electronic):** (at nominal temperature = 25°C) ±0.2% of meas. value ±0.2°C  
**Sensor accuracy:** (Pt1000)  
 Standard: acc. to DIN KI.B (±0,3°C at 0°C)  
 Option : 1/3 DIN: ±0,1°C at 0°C (*upcharge p.r.t. page 101*)

**Electric connection:** elbow-type plug acc. to DIN 43650 (IP65), output 2-wire connection, max. 1,5mm<sup>2</sup> each, no polarity

**Sensor connection:** 2-wire connection available (e.g. EBT - AP5)

**Ambient temperature (electronic):** 0...70°C  
**Temperature coefficient:** 0,05%/°C

**Storage temperature:** -20...+70°C  
**Housing:** 82 x 80 x 55 (L x B x H), material: ABS, IP rating: IP65

**Mounting position:** any  
**Fixing:** by means of screw-thread or fixing holes in the housing (accessible after top cover has been removed).

**Mounting distance:** 50 x 70mm  
**Fixing screws:** max. shaft Ø: 4mm  
**Sensor mounting:** sensors are electrically insulated as a standard.

**Thread sizes "G"\*:** 1/2" (standard) material V2A options : V4A; G1/4", G3/8", G1/2", M5, M6, M8, M10, M12, *other threads upon request!*

**Sensor tube:** „D“: 3 mm, 4mm, 5 mm, 6 mm and 8 mm - material: V4A

**Collar tube:** HL = please specify length desired (for ..AP2 only) (V4A-tube)

**Option Display:** 10 mm high LCD-display  
*The option VO additionally has 3 push-buttons for calling min./max. values and adjustment of measuring parameters (offset and scale correction).*

\* G1/2" = 1,27 cm, G 1/4" = 0,635 cm, G 3/8" = 0,9525 cm