

EASYBus-Sensor module for temperature

from version V3.2

Operating Manual

EBT – AP
Content

1	INTENDED USE	2
2	GENERAL ADVICE	2
3	SAFETY INSTRUCTIONS	2
4	DISPOSAL NOTES	2
5	ASSIGNMENT OF ELBOW-TYPE PLUG	3
6	GENERAL INSTALLATION INSTRUCTIONS:	3
7	DESIGN TYPES, DIMENSION	3
8	DISPLAY FUNCTIONS (ONLY AVAILABLE FOR DEVICES WITH OPTION ...-VO)	4
8.1	MEASURING DISPLAY	4
8.2	MIN/MAX VALUE MEMORY	4
8.3	MIN/MAX ALARM DISPLAY	4
9	ERROR AND SYSTEM MESSAGES	4
10	CONFIGURATION OF THE DEVICE	5
10.1	CONFIGURATION VIA INTERFACE	5
10.2	CONFIGURATION AT THE DEVICE (ONLY AVAILABLE FOR DEVICE WITH OPTION ...-VO)	5
11	NOTES TO THE CALIBRATION SERVICES	6
12	SPECIFICATION	6



WEEE-Reg.-Nr.: DE93889386


GREISINGER electronic GmbH
D - 93128 Regenstauf, Hans-Sachs-Straße 26

 ☎ +49 (0) 9402 / 9383-0 📠 +49 (0) 9402 / 9383-33 📧 info@greisinger.de

1 Intended use

The device measures temperature.

Field of application

- Room climate monitoring
 - Monitoring of storage rooms
- etc...

The safety instructions (see chapter 3) have to be observed.

The device must not be used for purposes and under conditions for that the device had not been designed. The device must carefully dealt with and has to be used according to the specifications (do not throw, knock, etc.). It has to be protected against dirt.

Do not expose the sensor to aggressive gases (like ammonia) for longer time.

Avoid condensation, as after drying there may remain residues, which may affect the precision negatively. In dusty environment additional protection has to be applied (special protection caps).

2 General advice

Read through this document attentively and make yourself familiar to the operation of the device before you use it. Keep this document in a ready-to-hand way in order to be able to look up in the case of doubt.

3 Safety instructions

This device has been designed and tested in accordance to the safety regulations for electronic devices. However, its trouble-free operation and reliability cannot be guaranteed unless the standard safety measures and special safety advises given in this manual will be adhered to when using it.

1. Trouble-free operation and reliability of the device can only be guaranteed if it is not subjected to any other climatic conditions than those stated under "Specification".
Transporting the device from a cold to a warm environment condensation may result in a failure of the function. In such a case make sure the device temperature has adjusted to the ambient temperature before trying a new start-up.
2. General instructions and safety regulations for electric, light and heavy current plants, including domestic safety regulations (e.g. VDE), have to be observed.
3. If device is to be connected to other devices (e.g. via PC) the circuitry has to be designed most carefully. Internal connection in third party devices (e.g. connection GND and earth) may result in not-permissible voltages impairing or destroying the device or another device connected.
4. Whenever there may be a risk whatsoever involved in running it, the device has to be switched off immediately and to be marked accordingly to avoid re-starting. Operator safety may be a risk if:
 - there is visible damage to the device
 - the device is not working as specified
 - the device has been stored under unsuitable conditions for a longer timeIn case of doubt, please return device to manufacturer for repair or maintenance.
5. **Warning:** Do not use this product as safety or emergency stop device or in any other application where failure of the product could result in personal injury or material damage.
Failure to comply with these instructions could result in death or serious injury and material damage.

4 Disposal notes



This device must not be disposed as "residual waste".
To dispose this device, please send it directly to us (adequately stamped).
We will dispose it appropriately and environmentally friendly.

5 Assignment of elbow-type plug

2-wire connection for EASYBus, no polarity, at terminals 1 and 2

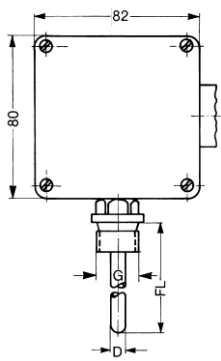
6 General installation instructions:

To mount the connection cable (2-wire) the elbow-type plug screw has to be loosened and the coupling insert has to be removed by means of a screw driver at the position indicated (arrow).

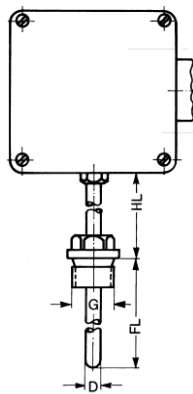
Pull out connection cable through PG gland and connect to the loose coupling insert as described in the wiring diagram. Replace loose coupling insert onto the pins at the transducer housing and turn cover cap with PG gland in the direction desired till it snaps on (4 different starting positions at 90° intervals). Re-tighten the screw at the angle plug.

7 Design types, dimension

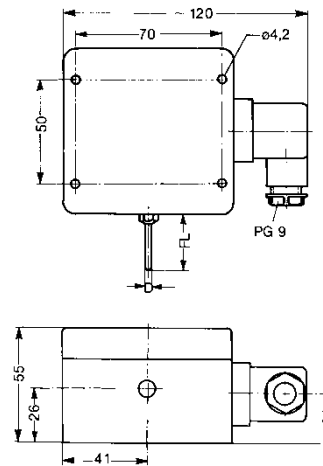
EBT- AP1



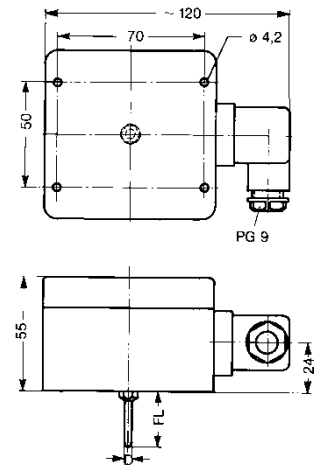
EBT- AP2



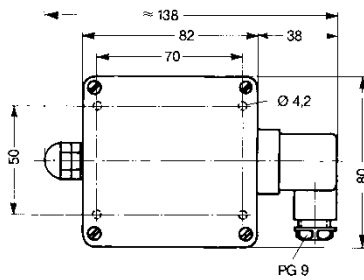
EBT- AP3



EBT- AP4



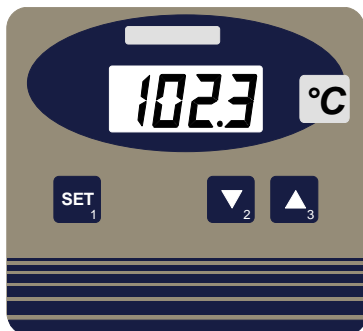
EBT- AP5



8 Display Functions (only available for devices with option ...-VO)

8.1 Measuring display

During normal operation the display will show the **temperature** in [°C] or [°F].



8.2 Min/Max Value Memory

watch Min values (Lo): press ▼ shortly once
 watch Max values (Hi): press ▲ shortly once
 restore current values: press ▼ or ▲ once again
 clear Min-values: press ▼ for 2 seconds
 clear Max-values: press ▲ for 2 seconds

display changes between 'Lo' and Min values
 display changes between 'Hi' and Max values
 current values are displayed
 Min values are cleared. Display shows shortly 'CLr'.
 Max values are cleared. Display shows shortly 'CLr'.

After 10 seconds the currently measured values will be displayed again.

8.3 Min/Max Alarm Display

Whenever the measured value is exceeding or undershooting the alarm-values that have been set, the alarm-warning and the measuring value will be displayed alternating.

AL.Lo the lower alarm boundary is reached or is undershot
 AL.Hi the upper alarm boundary is reached or is exceeded

9 Error and system messages

Display	Description	Possible fault cause	Remedy
Err.1	Measuring range exceeded	Wrong signal	Temperatures above the measuring range are not allowed.
Err.2	Measuring value below measuring range	Wrong signal	Temperatures below the measuring range are not allowed.
Err.7	System fault	Error in device	Disconnect from supply and reconnect. If error remains: return to manufacturer
Err.9	Sensor error	Sensor or cable defective	Check sensors, cable and connections, damages visible?
Er.11	Calculation not possible	Calculation variable missing or invalid	Check temperature
8.8.8.8	Segment test	The transducer performs a display test for 2 seconds after power up. After that it will change to the display of the measuring.	

10 Configuration of the device

10.1 Configuration via interface

The configuration of the device is done by means of the PC-software EASYBus-Configurator or EBxKonfig. The following parameters can be changed:

- Adjusting of temperature display (offset and scale correction)
- Setting of the alarm function for temperature

The adjusting by means of offset and scale is intended to be used to compensate errors of the measurings. It is recommended to keep the scale correction deactivated. The display value is given by following formula:

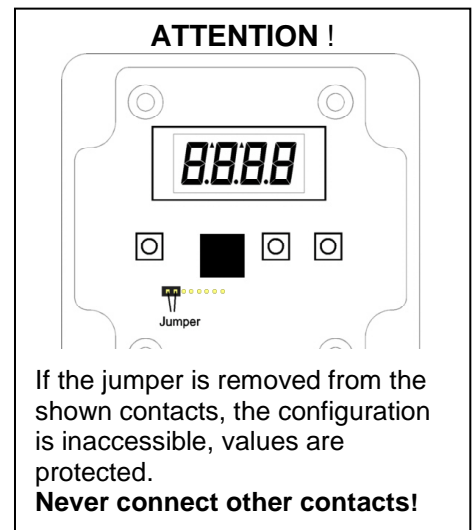
$$value = measured\ value - offset$$

With a scale correction (just for calibration laboratories, etc) the formula changes:

$$value = (measured\ value - offset) * (1 + scale\ adjustment/100)$$

10.2 Configuration at the device (only available for device with option ...-VO)

Note: If EASYBus sensor modules are operated by a data acquisition software, there can be problems if the configuration is changed during a running acquisition. Therefore it is recommended not to change configuration values during a running recording and furthermore to protect it against manipulation by unauthorised persons. (please refer to right picture)



Follow these instructions to configure the functions of the device:

- Press **SET** until the first parameter **Unit** appears in the display
- If a parameter should be changed, press **▼** or **▲**, The device changed to the setting – edit with **▼** or **▲**
- Confirm the value with **SET**
- Jump to the next parameter with **SET**.

Parameter	value	information
SET	▼ and ▲	
Unit + Temp arrow	Unit of temperature displays <i>factory setting: °C</i>	
	°C	Temperatures in °Celsius
	°F	Temperatures in °Fahrenheit
OFFS + Temp arrow	Offset correction of temperature measuring *)	
	oFF	deactivated (<i>factory setting</i>)
	-2.0 ... +2.0	Selectable from -2.0 to +2.0 °C
SCAL + Temp arrow	Scale correction of temperature measuring *)	
	oFF	deactivated (<i>factory setting</i>)
	-5.00 ... +5.00	Selectable from -5.00 to +5.00 % scale correction
ALLo + Temp arrow	Min. alarm-point for temperature measuring	
	Min.MB ... AL.Hi	Selectable from: min. measuring range to AL.Hi
ALHi + Temp arrow	Max. alarm-point for temperature measuring	
	AL.Lo ... Max.MB	Selectable from: AL.Lo to max. measuring range
ALdE + Temp arrow	Alarm-delay for temperature measuring	
	oFF	deactivated (<i>factory setting</i>)
	1 ... 9999	Selectable from 1 to 9999 sec.

Pressing **SET** again stores the settings, the instruments restarts (segment test)

Please note: *If there is no key pressed within the menu mode within 2 minutes, the configuration will be cancelled, the entered settings are lost!*

*) if higher values are needed, please check sensor, if necessary return to manufacturer for inspection.
Calculation: corrected value = (measured value – Offset) * (1+Scale/100)

11 Notes to the calibration services

Calibration certificates - DKD-certificates - other certificates:

If device should be certificated for its accuracy, it is the best solution to return it with the referring sensors to the manufacturer.

12 Specification

Measuring range	<i>please refer to type plate</i>
EBT – AP1, AP3, AP4	- 50,0 ... 150,0 °C or - 58,0 ... 302,0 °F
EBT – AP2	- 50,0 ... 400,0 °C or - 58,0 ... 752,0 °F
EBT – AP5	-199,9 ... 650,0 °C or -199,9 ... 999,9 °F
Accuracy (at nominal temperature)	
Electronic:	±0,2 % of measured value ±0,2 °C
Sensor:	<i>please refer to type plate</i>
Sensor	Pt1000 sensor, 2-wire
Meas. frequency	1 per second
Adjusting	Digital offset and scale adjustment
Min-/Max-value memory	Min and max measured values are stored
Output signal	EASYBus-protocol
Connection	2-wire EASYBus, polarity free
Busload	1.5 EASYBus-devices
Display (only with option VO)	approx. 10 mm high, 4-digit LCD-display
Operating elements	3 keys
Ambient conditions	
Nom. temperature	25°C
Operating temperature	-25 ... 70 °C
Relative humidity	0 ... 95 %RH (not condensing)
Storage temperature	-25 ... 70 °C
Housing	ABS (IP65, except sensor head)
Dimensions	82 x 80 x 55 mm (without elbow-type plug and sensor tube)
Mounting	Holes for wall mounting (in housing - accessible after cover has been removed).
Mounting distance	50 x 70 mm, max. shaft diameter of mounting screws is 4 mm
Electrical connection	Elbow-type plug conforming to DIN 43650 (IP65), max. wire cross section: 1.5 mm ² , wire/cable diameter from 4.5 to 7 mm
Design-types:	
EBT – AP1:	with threaded stem for direct screw connection.
EBT – AP2:	with threaded stem at a distance from housing (for higher temperature).
EBT – AP3:	indoor /outdoor probe for direct wall mounting.
EBT – AP4:	duct type probe with centrally mounted sensor tube arrangement with the shaft of device pointing downwards at a 90° angle
EBT – AP5:	measuring transducer for external Pt1000 sensors. Insertion of sensor cable through PG7 screwing.
EMC	The device corresponds to the essential protection ratings established in the Regulations of the Council for the Approximation of Legislation for the member countries regarding electromagnetic compatibility (2004/108/EG). In accordance with EN 61326-1: 2006, additional errors: <1 % FS. When connecting long leads adequate measures against voltage surges have to be taken.